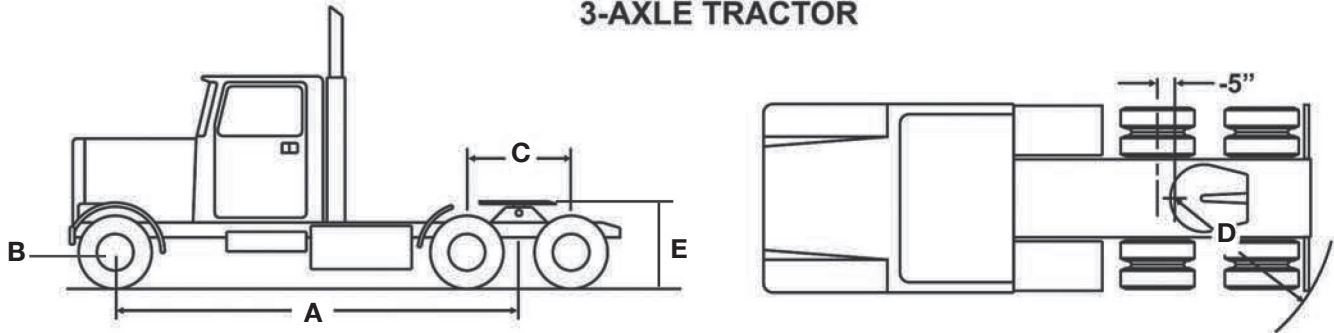


FELLING TRAILERS IMPORTANT INFORMATION

SWING CLEARANCE

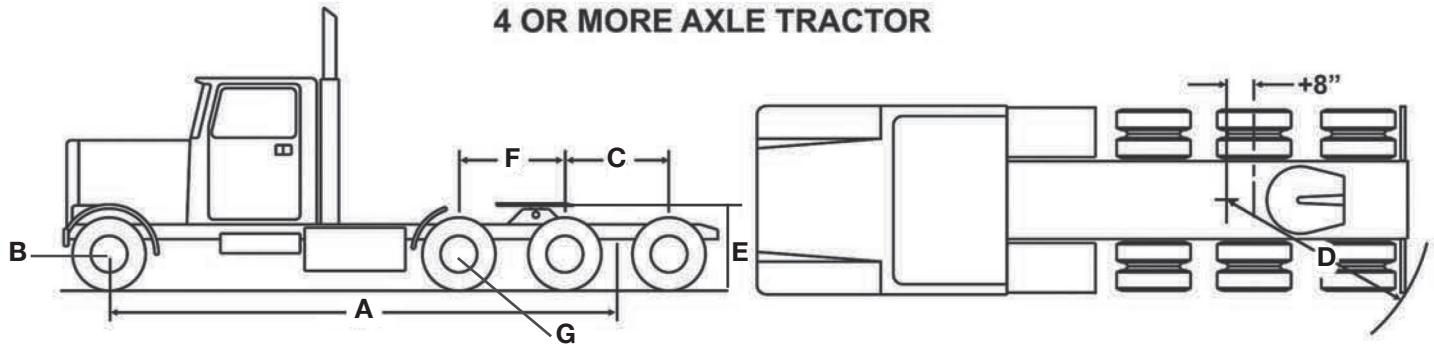
Use the chart below to determine the proper gooseneck length to fit your tractor. Felling Trailers come in a variety of gooseneck length options. These dimensions will help determine the swing clearance needed. If you have any questions, please call the factory for clarification.

3-AXLE TRACTOR



Dimension	Description
A = _____	Wheel base
B = _____	Steer axle load capacity
C = _____	Drive axle spacing
D = _____	Center of forward drive axle, -5" to outer edge of rear tire or mud flap
E = _____	Fifth wheel plate height

4 OR MORE AXLE TRACTOR



Dimension	Description
A = _____	Wheel base
B = _____	Steer axle load capacity
C = _____	Drive axle spacing
D = _____	Center of forward drive axle, +8" to outer edge of rear tire or mud flap
E = _____	Fifth wheel plate height
F = _____	Other axle spacing
_____	Number of axles
G = _____ Y _____ N	Lift axle (if yes) _____ Axle load capacity

Authorizing Person's Signature: _____ Date: _____