

Swing Clearance

“A Frame” Style Gooseneck

“A Frame” style gooseneck option is available on most models, 24,000 lb. capacity and smaller. Please specify clearance and truck height on the provided drawing below. Three key measurements are needed from the tow vehicle to ensure proper clearance of “A Frame” gooseneck when being towed.

Measurement

A _____

B _____

C _____

D _____

Tow Vehicle

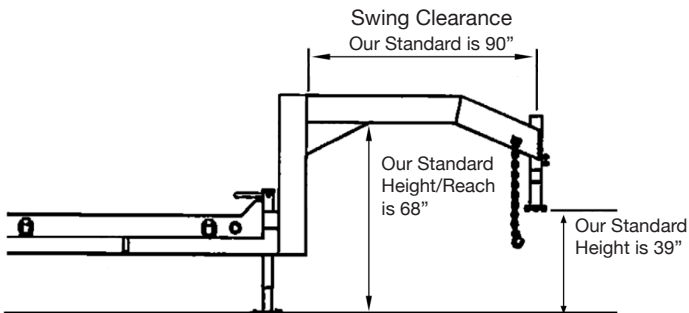
Swing Clearance

Ball/Pin Height

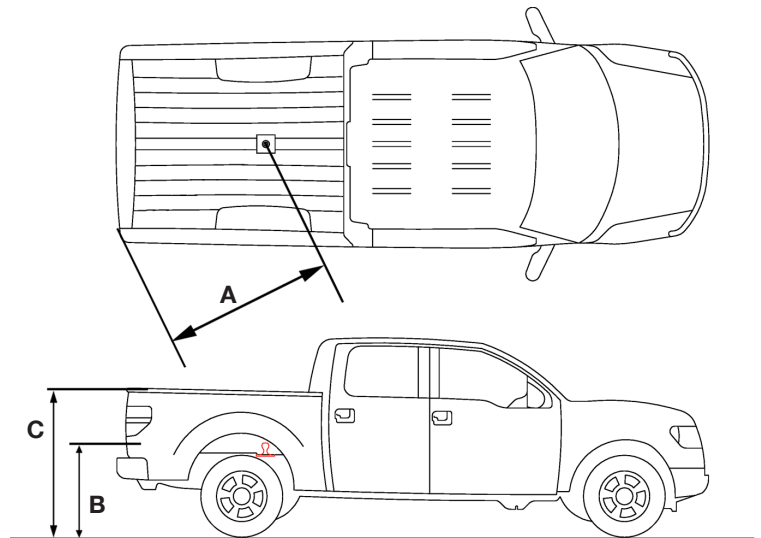
Box Side Height

Box Height + _____ ” (8” Standard) = Reach

Felling Trailer



Tow Vehicle



NOTE: Accurate measurements are critical to prevent damage to the trailer and tow vehicle when being towed.

Authorizing Person’s Signature: _____ **Date:** _____