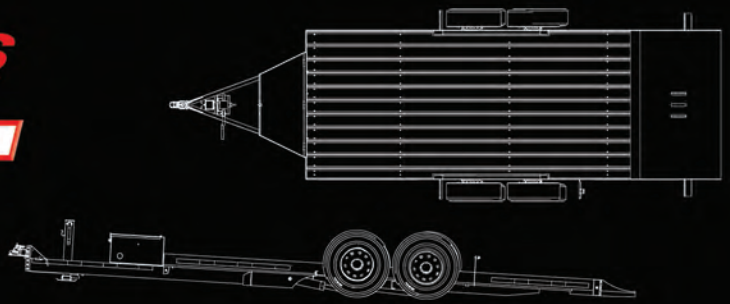


# FELLING TRAILERS

# EZ-TILT



**EZ Tilt  
Technology**



**FT-12 EZ-T**



The EZ Tilt trailer is a ground-level loading unit that makes the job of loading low clearance; cumbersome equipment like floor sweepers/scrubbers and scissor lifts a breeze. Great for rental yards offering the versatility to load a variety of equipment quickly and get the customer on their way.

## Standard Features:

- GVWR - 13,500 lbs.
- Load Capacity - 10,000 lbs.
- Deck Length - 18' 5" (includes 3.5' approach plate)
- Deck Width - 102" OD, 75.5" ID (between axle mounts)
- (2) 7K Drop Axles with Rotating Torsion Suspension
- Electric/Hydraulic Lift System with Corded Remote and 12 V Battery in Lockable Enclosure
- Winch Mount Under Deck is Standard

**Sweeper/Scrubber**



**Scissor Lift**



**Forklift**

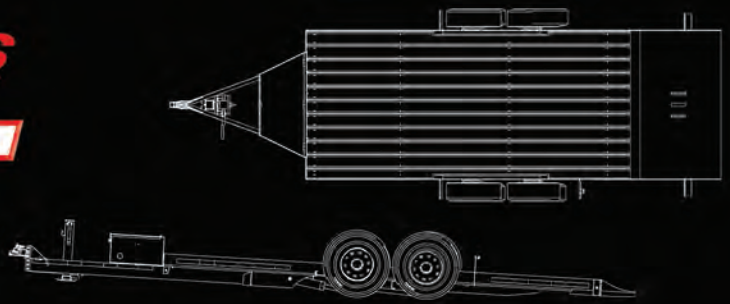


Felling Trailers, Inc. 1-800-245-2809 • [www.felling.com](http://www.felling.com) • [trailers@felling.com](mailto:trailers@felling.com)

©2018 Felling Trailers, Inc. Form No. EZT-100 Printed in U.S.A.

# FELLING TRAILERS

# EZ-TILT



## FT-12 EZ-T Specifications

- Rotating Torsion Suspension
- Elec/Hydraulic Lift System with Corded Remote
- 3.5' Approach Plate
- Winch Mount Under Deck
- 5 Degree Load Angle

### STANDARD FEATURES - FT-12 EZ-T DROP DECK EZ TILT SERIES

<b>GVWR</b>	13,500 lbs. (6,123 kg)
<b>Load Capacity</b>	10,000 lbs. (4,535 kg)
<b>Deck Length</b>	Tilt Deck Length 18.5', Includes 3.5' Approach Plate (5.64m/1.07m)
<b>Deck Type</b>	Pressure Treated Wood
<b>Approx. Deck Height</b>	20.5" Unloaded (52 cm)
<b>Width</b>	102" OD, 75.5" ID, Between Axle Mounts (259cm/191.77cm)
<b>Tie Downs</b>	(8) D-rings, 5/8" Straight
<b>Brakes</b>	Electric, Dexter FSA (Forward Self Adjust) On All Axles
<b>Axles</b>	7,000 lb. Drop
<b>Suspension</b>	Rotating Torsion
<b>Tires &amp; Wheels</b>	ST235/80R 16E, 8 Bolt White Mod
<b>Hitch Length</b>	Approx. 6' (1.83m), Center of Coupler to Headboard
<b>Hitch Type</b>	2-5/16" Ball Adjustable, 20,000 lb. Channel Mount, Range 15.5" to 23.5"
<b>Jack</b>	12,000 lb. Drop Leg, Side Wind
<b>Plug</b>	7 Pole RV
<b>Lights</b>	4 Tail Light System, LED, Sealed Wiring Harness
<b>Standard</b>	Electric/Hydraulic Pump with Corded Remote and 12 V Battery in Lockable Enclosure
<b>Standard</b>	Winch Mount Under Deck

Your **FELLING TRAILERS** Dealer:

## FELLING TRAILERS

Manufactured & Distributed by: **Felling Trailers, Inc.**

1525 Main St. S. • Sauk Centre, MN 56378

(320) 352-5239 • (320) 352-5230 FAX

Visit us online at [www.felling.com](http://www.felling.com)

E-mail us at: [trailers@felling.com](mailto:trailers@felling.com)

Call **1-800-245-2809** for your nearest dealer.

