



ISO 9001 Quality Management System | WBENC-Certified WBE | THE TRAILER EXPERTS - SINCE 1974

**Product Sheet**

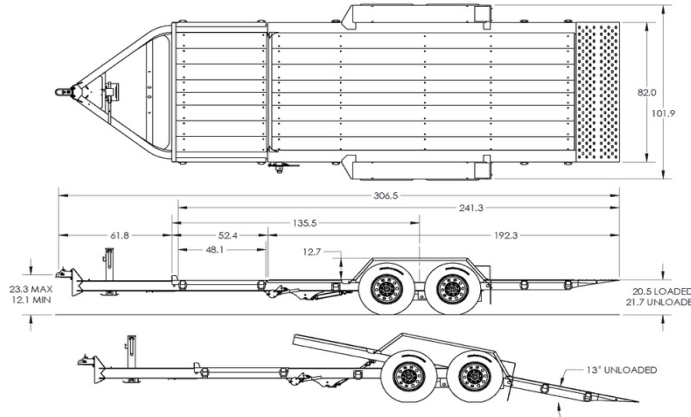
Felling Trailers, Inc. 2021

www.felling.com • 1-800-245-2809

1525 Main Street South

Sauk Centre, MN 56378

<b>FT-10 IT-I</b>		<b>Drop Deck IT-I Series</b>	
<b>GVWR LBS: 9,980</b>	<b>GAWR LBS: 14,000</b>	<b>WEIGHT LBS: 3,400</b>	<b>CAPACITY LBS: 6,580</b>



Feature Name	Standard Features	Std. Qty	UOM
<b>Model</b>	<b>FT-10 IT-I</b>	1	
Stationary Deck	Stationary Deck	4	Feet
Stationary Deck Type	Pressure Treated Wood	1	Std
Deck Length	Add Tilt Deck Length (Includes 2' Steel Punch Plate Approach)	16	Feet
Deck Type	Pressure Treated Wood	1	Std
Appx Deck Height	19.5" Loaded, 22" Unloaded	1	Inches
Width	102" OD, 82" ID	1	Std
Tie Downs	D-Rings, 5/8" Straight	10	Std
Brakes	Electric, FSA (Fwd Self Adj) On All Axles	1	Std
Axles	7K, Drop	2	Std
Axles, Acc	EZ-Lube Hubs	1	Std
Suspension	Spring, 36" Spread	1	Std
Tires & Wheels	ST235/80R 16 E, 8 Bolt [16 x 6] White Mod	4	Each
Hitch Length	Center of Coupler to Headboard, Appx	5	Feet
Hitch Type	2 5/16" Ball Adjustable, [B] 21,000 lb Plate Mount	1	Opt
Hitch Height	Approximate Adjustment Hitch Range 13.5" to 22.5" (18" to 22.5" if Hyd)	1	Std
Jack	12K w/ Spring Loaded Drop Leg, Side Wind	1	Std
Plug	7 Pole RV	1	Std
Lights	LED, 4 tail light system, Sealed Wiring Harness (Tail lights located on rear of fenders)	1	Std
Trailer Color	Felling Black # CCA945378 (White Felling Decal)	1	Std
Standard	3/8" Safety Chains, Grade 70	1	Std
Standard	Document Holder	1	Std
Standard	Single Cushion Cylinder	1	Std
GVWR	9,980 lbs	1	Std