

**FT-12 I**

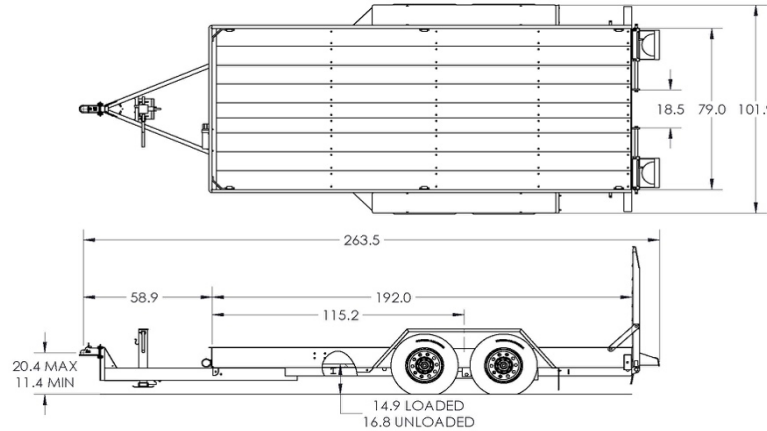
**Drop Deck I Series**

**GVWR LBS: 14,500**

**GAWR LBS: 14,000**

**WEIGHT LBS: 2,980**

**CAPACITY LBS: 11,520**



Feature Name	Standard Features	Std. Qty	UOM
<b>Model</b>	<b>FT-12 I</b>	1	
Deck Length	Add Deck Length	16	Feet
Deck Type	Pressure Treated Wood	1	Std
Ramps; Rear	5' x 16" Angle Iron Spring Assist	1	Pair
Ramps, Acc	Full Width Ramp Rod	1	Std
Appx Deck Height	19" Loaded, 21.5" Unloaded	1	Inches
Width	102" OD, 82" ID	1	Std
Tie Downs	D-Rings, 5/8" Straight	8	Std
Brakes	Electric, FSA (Fwd Self Adj) On All Axles	1	Std
Axles	7K, Drop	2	Std
Axles, Acc	EZ-Lube Hubs	1	Std
Suspension	Spring, 36" Spread	1	Std
Tires & Wheels	ST235/80R 16 E, 8 Bolt [16 x 6] White Mod	4	Std
Hitch Height	Approximate Adjustment Hitch Range 13.5" to 22.5" (18" to 22.5" if Hyd)	1	Std
Hitch Length	Center of Coupler to Headboard, Appx	5	Feet
Hitch Type	2 5/16" Ball Adjustable, [B] 21,000 lb Plate Mount	1	Std
Jack	12K w/ Spring Loaded Drop Leg, Side Wind	1	Std
Plug	7 Pole RV	1	Std
Lights	LED, 4 tail light system, Sealed Wiring Harness	1	Std
Trailer Color	Felling Black # CCA945378 (White Felling Decal)	1	Std
Standard	3/8" Safety Chains, Grade 70	1	Std
Standard	Document Holder	1	Std
GVWR	14,500 lbs	1	Std