



ISO 9001 Quality Management System | WBENC-Certified WBE | THE TRAILER EXPERTS - SINCE 1974

Product Sheet

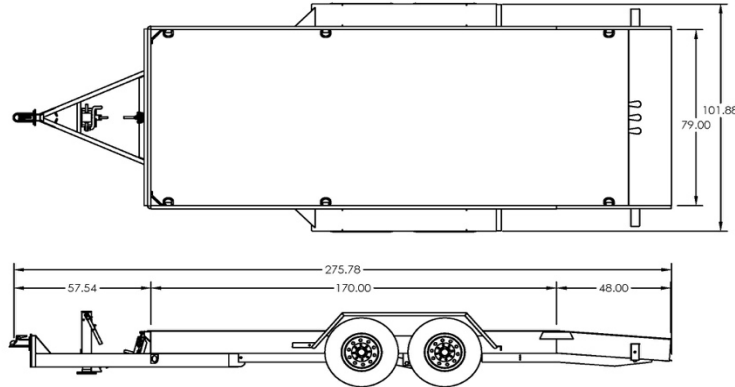
Felling Trailers, Inc. 2021

www.felling.com • 1-800-245-2809

1525 Main Street South

Sauk Centre, MN 56378

FT-12 T		Drop Deck Tilt Series	
GVWR LBS: 13,800	GAWR LBS: 12,000	WEIGHT LBS: 3,200	CAPACITY LBS: 10,600



Feature Name	Standard Features	Std. Qty	UOM
Model	FT-12 T	1	
Deck Length	Add Tilt Deck Length	14	Feet
Frame Type	Pan Style with 10" Sides	1	Std
Deck Type	Pressure Treated Wood	1	Std
Dovetail	4' Length Standard	4	Opt
Standard	18" Approach Plate	1	Std
Appx Deck Height	15" Loaded, 17" Unloaded (Drop Axles)	1	Inches
Width	102" OD, 79" ID	1	Std
Tie Downs	D-Rings, 5/8" Straight	6	Each
Tie Downs	Corner Ties	2	Std
Brakes	Electric, FSA (Fwd Self Adj) On All Axles	1	Std
Axles	6K, Drop	2	Std
Suspension	Spring	1	Std
Tires & Wheels	ST235/80R 16 E, 8 Bolt [16 x 6] White Mod	4	Std
Hitch Length	Center of Coupler to Headboard, Appx	4.5	Feet
Hitch Type	2 5/16" Ball Adjustable, [B] 21,000 lb Plate Mount	1	Std
Jack	12K w/ Spring Loaded Drop Leg, Side Wind	1	Std
Plug	7 Pole RV	1	Each
Lights	LED, 4 tail light system, Sealed Wiring Harness	1	Std
Trailer Color	Felling Black # CCA945378 (White Felling Decal)	1	Std
Standard	3/8" Safety Chains, Grade 70	1	Std
Stripe Color	White	1	Std
Standard	Document Holder	1	Std
GVWR	13,800 lbs	1	Std