

FT-14 I

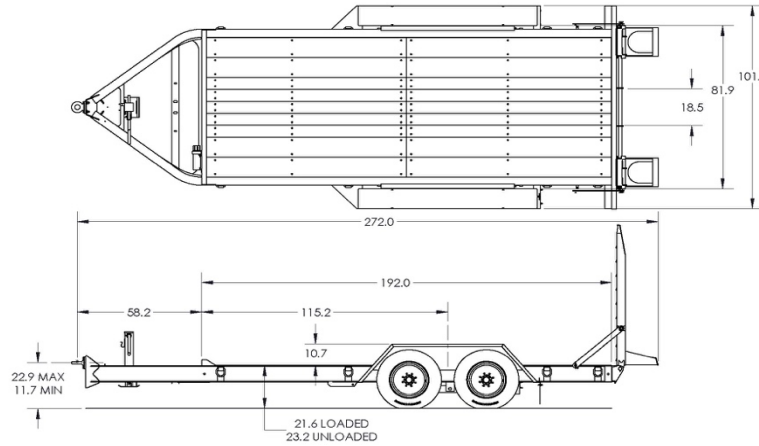
Drop Deck I Series

GVWR LBS: 16,100

GAWR LBS: 14,000

WEIGHT LBS: 3,600

CAPACITY LBS: 12,500



Feature Name	Standard Features	Std. Qty	UOM
Model	FT-14 I	1	
Deck Length	Add Deck Length	16	Feet
Deck Type	White Oak 2" Nom	1	Std
Ramps; Rear	6' x 16" Angle Iron Spring Assist	1	Pair
Ramps, Acc	Full Width Ramp Rod	1	Std
Appx Deck Height	21" Loaded, 24" Unloaded	1	Inches
Width	102" OD, 82" ID	1	Std
Tie Downs	D-Rings, 5/8" Straight	8	Std
Brakes	Electric, FSA (Fwd Self Adj) On All Axles	1	Std
Axles	7K Heavy Duty, Drop	2	Std
Axles, Acc	EZ-Lube Hubs	1	Std
Suspension	Spring, 36" Spread	1	Std
Tires & Wheels	215/75R 17.5 H, 8 Bolt [17.5 x 6.75] Plate Wheel	4	Each
Hitch Length	Center of Coupler to Headboard, Appx	5	Feet
Hitch Type	2.5" Adjustable Lunette Eye/Pintle, [C] 42,000 lb Plate Mount (5/8" Bolt)	1	Std
Jack	12K w/ Spring Loaded Drop Leg, Side Wind	1	Std
Plug	7 Pole RV	1	Std
Lights	LED, 4 tail light system, Sealed Wiring Harness	1	Std
Trailer Color	Felling Black # CCA945378 (White Felling Decal)	1	Std
Standard	3/8" Safety Chains, Grade 70	1	Std
Standard	Document Holder	1	Std
GVWR	16,100 lbs	1	Std