



ISO 9001 Quality Management System | WBENC-Certified WBE | THE TRAILER EXPERTS - SINCE 1974

Product Sheet

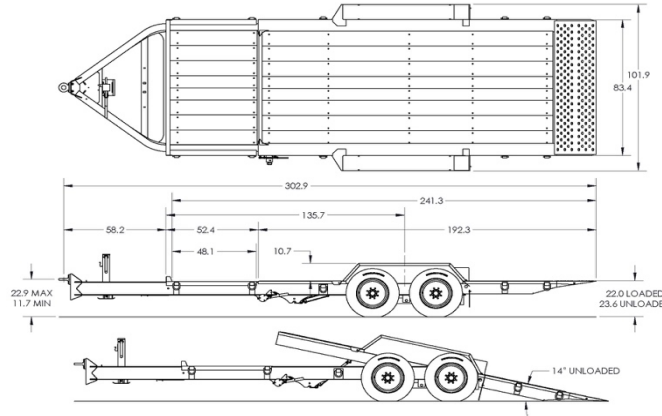
Felling Trailers, Inc. 2021

www.felling.com • 1-800-245-2809

1525 Main Street South

Sauk Centre, MN 56378

FT-14 IT-I	Drop Deck IT-I Series		
GVWR LBS: 16,100	GAWR LBS: 14,000	WEIGHT LBS: 4,000	CAPACITY LBS: 12,100



Feature Name	Standard Features	Std. Qty	UOM
Model	FT-14 IT-I	1	
Stationary Deck	Stationary Deck	4	Feet
Stationary Deck Type	White Oak 2" Nom	1	Std
Deck Length	Add Tilt Deck Length (Includes 2' Steel Punch Plate Approach)	16	Feet
Deck Type	White Oak 2" Nom	1	Std
Appx Deck Height	21.5" Loaded, 23.5" Unloaded	1	Inches
Width	102" OD, 83.5" ID	1	Std
Tie Downs	D-Rings, 5/8" Straight	10	Std
Brakes	Electric, FSA (Fwd Self Adj) On All Axles	1	Std
Axles	7K, Drop	2	Std
Axles, Acc	EZ-Lube Hubs	1	Std
Suspension	Spring, 36" Spread	1	Std
Tires & Wheels	215/75R 17.5 H, 8 Bolt [17.5 x 6.75] Plate Wheel	4	Each
Hitch Length	Center of Coupler to Headboard, Appx	5	Feet
Hitch Type	2.5" Adjustable Lunette Eye/Pintle, [C] 42,000 lb Plate Mount (5/8" Bolt)	1	Std
Hitch Height	Approximate Adjustment Hitch Range 14.5" to 23.5" (20.5" to 25" if Hyd)	1	Std
Jack	12K w/ Spring Loaded Drop Leg, Side Wind	1	Std
Plug	7 Pole RV	1	Std
Lights	LED, 4 tail light system, Sealed Wiring Harness (Tail lights located on rear of fenders)	1	Std
Trailer Color	Felling Black # CCA945378 (White Felling Decal)	1	Std
Standard	3/8" Safety Chains, Grade 70	1	Std
Standard	Document Holder	1	Std
Standard	Dual cushion cylinders	2	Std
GVWR	16,100 lbs	1	Std