



ISO 9001 Quality Management System | WBENC-Certified WBE | THE TRAILER EXPERTS - SINCE 1974

Product Sheet

Felling Trailers, Inc. 2021

www.felling.com • 1-800-245-2809

1525 Main Street South

Sauk Centre, MN 56378

FT-14 P

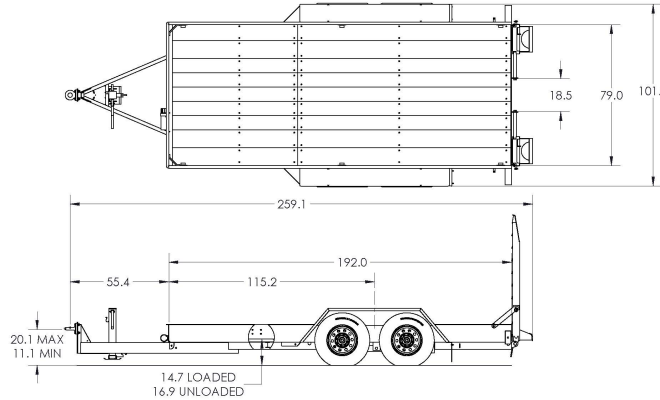
Drop Deck Pan Series

GVWR LBS: 16,100

GAWR LBS: 14,000

WEIGHT LBS: 3,200

CAPACITY LBS: 12,900



Feature Name	Standard Features	Std. Qty	UOM
Model	FT-14 P	1	
Deck Length	Add Deck Length	16	Feet
Deck Type	White Oak 2" Nom	1	Std
Frame Type	6" Structural Channel Tongue	1	Std
Frame Type	4" and 3" Crossmember	1	Std
Frame Type	10" Pan Sides (12" Sides on 18' Length and Up)	1	Std
Ramps; Rear	6' x 16" Angle Iron Spring Assist	1	Pair
Appx Deck Height	16" Loaded, 18" Unloaded (Drop Axles)	1	Inches
Width	102" OD, 79" ID	1	Std
Tie Downs	D-Rings, 5/8" Straight	6	Std
Tie Downs	Corner Ties	2	Std
Brakes	Electric, FSA (Fwd Self Adj) On All Axles	1	Each
Axles	7K, Drop	2	Std
Axles, Acc	EZ-Lube Hubs	2	Each
Suspension	Spring	1	Std
Tires & Wheels	ST235/80R 16 E, 8 Bolt [16 x 6] White Mod	4	Std
Hitch Length	Center of Coupler to Headboard, Appx	4.5	Feet
Hitch Type	2.5" Adjustable Lunette Eye/Pintle, [C] 42,000 lb Plate Mount (5/8" Bolt)	1	Std
Jack	12K Spring Loaded Side Wind Jack - Single Speed	1	Std
Plug	7 Pole RV	1	Std
Lights	LED, 4 tail light system, Sealed Wiring Harness	1	Std
Trailer Color	Felling Black # CCA945378 (White Felling Decal)	1	Std
Standard	3/8" Safety Chains, Grade 70	1	Std
Standard	Document Holder	1	Std
GVWR	16,000 lbs	1	Std