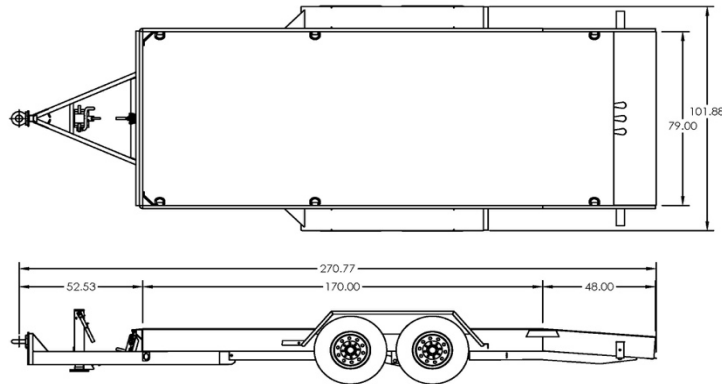


FT-14 T		Drop Deck Tilt Series	
GVWR LBS: 16,100	GAWR LBS: 14,000	WEIGHT LBS: 3,450	CAPACITY LBS: 12,650



Feature Name	Standard Features	Std. Qty	UOM
Model	FT-14 T	1	
Deck Length	Add Tilt Deck Length	14	Feet
Frame Type	Pan Style with 10" Sides	1	Std
Deck Type	Pressure Treated Wood	1	Std
Dovetail	4' Length Standard	4	Opt
Standard	18" Approach Plate	1	Std
Appx Deck Height	15" Loaded, 17" Unloaded (Drop Axles)	1	Inches
Width	102" OD, 79" ID	1	Std
Tie Downs	D-Rings, 5/8" Straight	6	Each
Tie Downs	Corner Ties	2	Std
Brakes	Electric, FSA (Fwd Self Adj) On All Axles	1	Std
Axles	7K, Drop	2	Std
Suspension	Spring	1	Std
Tires & Wheels	ST235/80R 16 E, 8 Bolt [16 x 6] White Mod	4	Std
Hitch Length	Center of Coupler to Headboard, Appx	4.5	Feet
Hitch Type	2.5" Adjustable Lunette Eye/Pintle, [C] 42,000 lb Plate Mount (5/8" Bolt)	1	Std
Jack	12K w/ Spring Loaded Drop Leg, Side Wind	1	Std
Plug	7 Pole RV	1	Each
Lights	LED, 4 tail light system, Sealed Wiring Harness	1	Std
Trailer Color	Felling Black # CCA945378 (White Felling Decal)	1	Std
Standard	3/8" Safety Chains, Grade 70	1	Std
Stripe Color	White	1	Std
Standard	Document Holder	1	Std
GVWR	16,100 lbs	1	Std