



ISO 9001 Quality Management System | WBENC-Certified WBE | THE TRAILER EXPERTS - SINCE 1974

Product Sheet

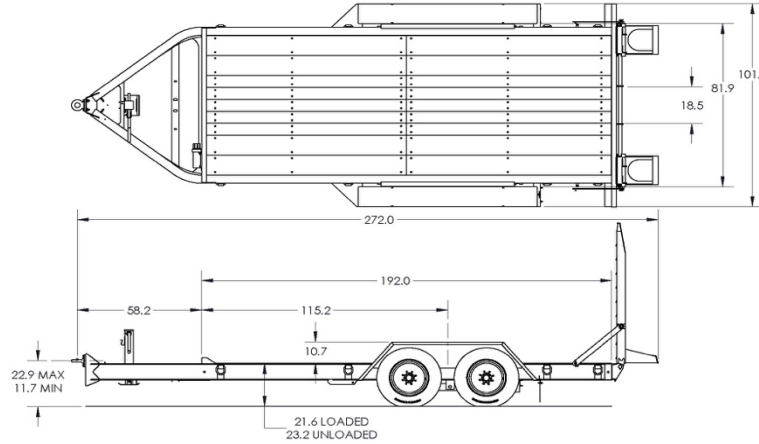
Felling Trailers, Inc. 2021

www.felling.com • 1-800-245-2809

1525 Main Street South

Sauk Centre, MN 56378

FT-16 I		Drop Deck I Series	
GVWR LBS: 18,400	GAWR LBS: 16,000	WEIGHT LBS: 4,000	CAPACITY LBS: 14,400



Feature Name	Standard Features	Std. Qty	UOM
Model	FT-16 I	1	
Deck Length	Add Deck Length	18	Feet
Deck Type	White Oak 2" Nom	1	Std
Frame Type	3" Angle Lip Up	1	Std
Ramps; Rear	6' x 16" Angle Iron Spring Assist	1	Pair
Ramps, Acc	Full Width Ramp Rod	1	Std
Appx Deck Height	24" Loaded, 27 Unloaded	1	Inches
Width	102" OD, 83" ID	1	Std
Tie Downs	D-Rings, 5/8" Straight	8	Std
Brakes	Electric, FSA (Fwd Self Adj) On All Axles	1	Std
Axles	8K Oil Bath Drop	2	Std
Suspension	Spring, 36" Spread	1	Std
Tires & Wheels	215/75R 17.5 H, 8 Bolt [17.5 x 6.75] Plate Wheel	4	Each
Hitch Length	Center of Coupler to Headboard, Appx	5	Feet
Hitch Type	2.5" Adjustable Lunette Eye/Pintle, [C] 42,000 lb Plate Mount (5/8" Bolt)	1	Std
Jack	12K w/ Spring Loaded Drop Leg, Side Wind	1	Std
Plug	7 Pole RV	1	Std
Lights	LED, 4 tail light system, Sealed Wiring Harness	1	Std
Trailer Color	Felling Black # CCA945378 (White Felling Decal)	1	Std
Standard	3/8" Safety Chains, Grade 70	1	Std
Standard	Document Holder	1	Std
GVWR	18,400 lbs	1	Std