

**FT-16 P**

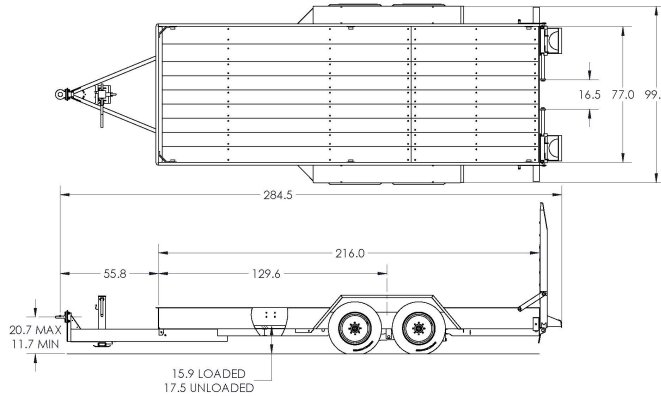
**Drop Deck Pan Series**

**GVWR LBS: 18,400**

**GAWR LBS: 16,000**

**WEIGHT LBS: 3,600**

**CAPACITY LBS: 14,800**



Feature Name	Standard Features	Std. Qty	UOM
Model	<b>FT-16 P</b>	1	
Deck Length	Add Deck Length	18	Feet
Deck Type	White Oak 2" Nom	1	Std
Ramps; Rear	6' x 16" Angle Iron Spring Assist	1	Pair
Frame Type	4" and 3" Crossmember	1	Std
Frame Type	Pan Style with 12" Sides	1	Std
Frame Type	7" Structural Channel Tongue	1	Std
Appx Deck Height	16" Loaded, 18" Unloaded (Drop Axles)	1	Inches
Width	102" OD, 77" ID	1	Std
Tie Downs	D-Rings, 5/8" Straight	6	Std
Tie Downs	Corner Ties	2	Std
Brakes	Electric, FSA (Fwd Self Adj) On All Axles	1	Each
Axles	8K Oil Bath Drop	2	Std
Suspension	Spring	1	Std
Tires & Wheels	215/75R 17.5 H, 8 Bolt [17.5 x 6.75] Plate Wheel	4	Std
Hitch Length	Center of Coupler to Headboard, Appx	4.5	Feet
Hitch Type	2.5" Adjustable Lunette Eye/Pintle, [C] 42,000 lb Plate Mount (5/8" Bolt)	1	Std
Jack	12K Spring Loaded Side Wind Jack - Single Speed	1	Std
Plug	7 Pole RV	1	Std
Lights	LED, 4 tail light system, Sealed Wiring Harness	1	Std
Trailer Color	Felling Black # CCA945378 (White Felling Decal)	1	Std
Standard	3/8" Safety Chains, Grade 70	1	Std
Standard	Document Holder	1	Std
GVWR	18,400 lbs	1	Std