

FT-5 EZ-T

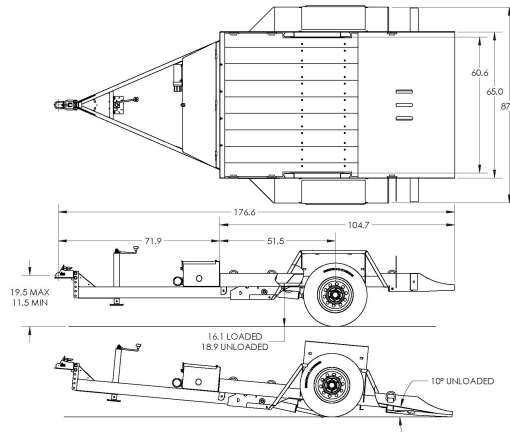
Drop Deck EZ-Tilt Series

GVWR LBS: 6,100

GAWR LBS: 5,000

WEIGHT LBS: 1,550

CAPACITY LBS: 4,550



Feature Name	Standard Features	Std. Qty	UOM
Model	FT-5 EZ-T	1	
Deck Length	Tilt Deck Length (5.5' deck + 3' Smooth Steel Approach)	8.5	Feet
Deck Type	Anti-Skid Paint Applied to Approach plate	1	Std
Deck Type	Pressure Treated Wood	1	Std
Appx Deck Height	19.5" Unloaded	1	Inches
Width	87" OD, 60.5" ID (Between axle mounts)	1	Std
Tie Downs	D-Rings, 5/8" Straight	6	Each
Brakes	Electric, FSA (Fwd Self Adj) On All Axles	1	Std
Axles	6K Drop	1	Std
Axles, Acc	Super Lube Hubs	1	Std
Suspension	Rotating, Torsion	1	Std
Tires & Wheels	ST225/75R 15 D, 6 Bolt [15 x 6] White Mod	2	Std
Hitch Type	2" Ball, [B] Adjustable, 10,000 lb Channel Mount	1	Std
Hitch Length	Center of Coupler to Headboard, Appx	6	Feet
Hitch Height	Approximate Adjustment Hitch Range 11.5" to 19.5"	1	Std
Jack	7K Drop Leg ** Top Wind **	1	Std
Plug	7 Pole RV	1	Std
Lights	LED, 4 tail light system, Sealed Wiring Harness	1	Std
Trailer Color	Felling Black # CCA945378 (White Felling Decal)	1	Std
Standard	Elec/Hydraulic Pump with Corded Remote and 12 V Battery in Lockable Enclosure	1	Std
Standard	3/8" Safety Chains, Grade 70	1	Std
Standard	Document Holder	1	Std
GVWR	6,100 lbs	1	Std