



ISO 9001 Quality Management System | WBENC-Certified WBE | THE TRAILER EXPERTS - SINCE 1974

**Product Sheet**

Felling Trailers, Inc. 2021

www.felling.com • 1-800-245-2809

1525 Main Street South

Sauk Centre, MN 56378

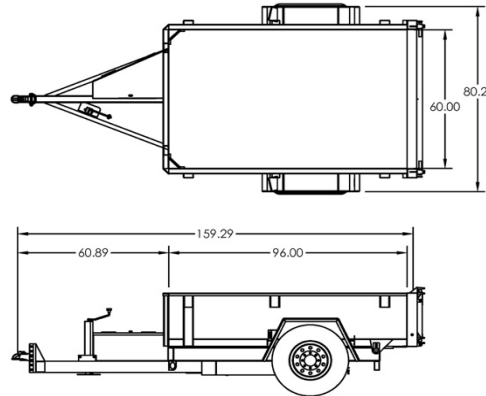
**FT-10 DT Drop Deck Dump Series**

**GVWR LBS: 9,980**

**GAWR LBS: 10,160**

**WEIGHT LBS: 2,980**

**CAPACITY LBS: 7,000**



Feature Name	Standard Features	Std. Qty	UOM
<b>Model</b>	<b>FT-10 DT</b>	1	
<b>Deck Length</b>	Add Deck Length	10	Feet
<b>Deck Type</b>	10 Gauge Steel w/ 20" High 12 Gauge Sides	1	Std
<b>Rear Gate</b>	Spreader Gate Assembly	1	Std
<b>Appx Deck Height</b>	24" Unloaded (Drop Axle)	1	Inches
<b>Width</b>	102" OD, 80" ID	1	Std
<b>Tie Downs</b>	Stake Pockets	8	Each
<b>Brakes</b>	Electric, FSA (Fwd Self Adj) On All Axles	1	Std
<b>Axles</b>	6K, Drop	2	Std
<b>Suspension</b>	Spring	1	Std
<b>Tires &amp; Wheels</b>	ST225/75R 15 D, 6 Bolt [15 x 6] White Mod	4	Each
<b>Hitch Length</b>	Center of Coupler to Headboard, Appx	5	Feet
<b>Hitch Type</b>	2 5/16" Ball Adjustable, [B] 20,000 lb Channel Mount	1	Std
<b>Jack</b>	7K Drop Leg ** Top Wind **	1	Std
<b>Plug</b>	7 Pole RV	1	Std
<b>Lights</b>	LED Lights (Peterson), Sealed Wiring Harness (Sealco)	1	Std
<b>Standard</b>	3/8" Safety Chains, Grade 70	1	Std
<b>Standard</b>	Single Hydraulic Cylinder	1	Each
<b>Standard</b>	Heavy Duty Battery, Pump and Remote with 15ft Cord	1	Std
<b>Standard</b>	Tread Plate Fenders	1	Std
<b>Trailer Color</b>	Felling Black # CCA945378 (White Felling Decal)	1	Std
<b>Stripe Color</b>	None	1	Std
<b>GVWR</b>	9,980 lbs	1	Std