



ISO 9001 Quality Management System | WBENC-Certified WBE | THE TRAILER EXPERTS - SINCE 1974

Product Sheet

Felling Trailers, Inc. 2021

www.felling.com • 1-800-245-2809

1525 Main Street South

Sauk Centre, MN 56378

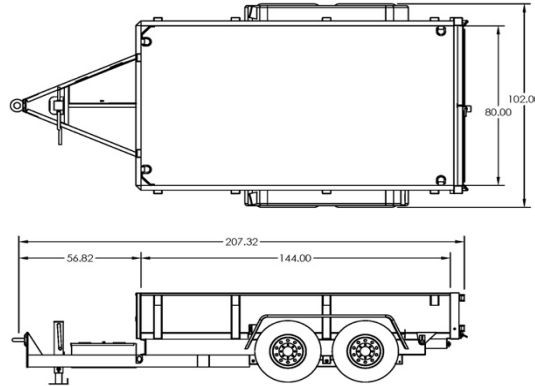
FT-14 DT HD	Drop Deck Dump Series
--------------------	------------------------------

GVWR LBS: 16,100

GAWR LBS: 14,000

WEIGHT LBS: 4,200

CAPACITY LBS: 11,900



Feature Name	Standard Features	Std. Qty	UOM
Model	FT-14 DT HD	1	
Deck Length	Add Deck Length	12	Feet
Deck Type	10 Gauge Steel w/ 20" High 12 Gauge Sides	1	Std
Ramps, Acc	5' 5" Slide Out Stored Under Deck	1	Pair
Rear Gate	Barn Door Assembly	1	Std
Appx Deck Height	24" Unloaded	1	Inches
Width	102" OD, 80" ID	1	Std
Tie Downs	D-Rings, 5/8"	4	Each
Tie Downs	Stake Pockets	10	Each
Brakes	Electric, FSA (Fwd Self Adj) On All Axles	1	Std
Axles	7K, Drop	2	Std
Suspension	Spring	1	Std
Tires & Wheels	ST235/80R 16 E, 8 Bolt [16 x 6] White Mod	4	Each
Hitch Length	Center of Coupler to Headboard, Appx	5	Feet
Hitch Type	2.5" Adjustable Lunette Eye/Pintle, [C] 42,000 lb Plate Mount (5/8" Bolt)	1	Std
Jack	12K Spring Loaded Side Wind Jack - Single Speed	1	Std
Plug	7 Pole RV	1	Std
Lights	LED Lights (Peterson), Sealed Wiring Harness (Sealco)	1	Std
Standard	3/8" Safety Chains, Grade 70	1	Std
Standard	Heavy Duty Scissor Hoist	1	Each
Standard	Heavy Duty Battery, Pump and Remote with 15ft Cord	1	Std
Standard	Document Holder	1	Std
Standard	Tread Plate Fenders	1	Std
Trailer Color	Felling Black # CCA945378 (White Felling Decal)	1	Std
Stripe Color	None	1	Std
GVWR	16,100 lbs	1	Std