



ISO 9001 Quality Management System | WBENC-Certified WBE | THE TRAILER EXPERTS - SINCE 1974

Product Sheet

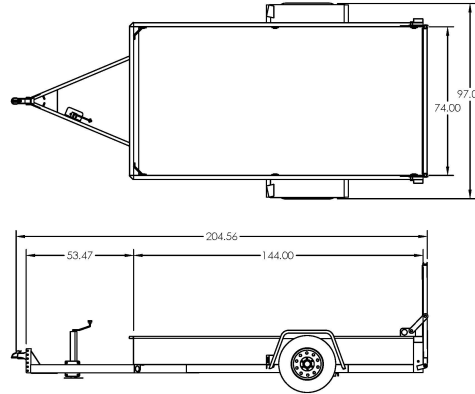
Felling Trailers, Inc. 2021

www.felling.com • 1-800-245-2809

1525 Main Street South

Sauk Centre, MN 56378

FT-5		Drop Deck Utility Series	
GVWR LBS: 6,100	GAWR LBS: 5,080	WEIGHT LBS: 1,200	CAPACITY LBS: 4,900



Feature Name	Standard Features	Std. Qty	UOM
Model	FT-5	1	
Deck Length	Add Deck Length	12	Feet
Frame Type	Pan Style with 14" Sides	1	Each
Deck Type	Pressure Treated Wood	1	Std
Ramps; Rear	4' Full Width Spring Assisted	1	Std
Appx Deck Height	14" Unloaded (w/ Drop Axles)	1	Inches
Width	97" OD, 74" ID	1	Std
Tie Downs	1/2" D-Rings	6	Std
Tie Downs	Corner Ties	2	Std
Brakes	Electric, FSA (Fwd Self Adj)	1	Std
Axles	6K, Drop	1	Std
Suspension	Spring	1	Std
Tires & Wheels	ST225/75R 15 D, 6 Bolt [15 x 6] White Mod	2	Std
Hitch Length	Center of Coupler to Headboard, Appx	4.5	Feet
Hitch Type	2" Ball, [B] Adjustable, 10,000 lb Channel Mount	1	Std
Jack	7K Drop Leg ** Top Wind **	1	Std
Plug	7 Pole RV	1	Std
Lights	LED Lights (Peterson), Sealed Wiring Harness (Sealco)	1	Std
Standard	3/8" Safety Chains, Grade 70	1	Std
Trailer Color	Felling Black # CCA945378 (White Felling Decal)	1	Std
Stripe Color	White	1	Std
GVWR	6,100 lbs	1	Std