



ISO 9001 Quality Management System | WBENC-Certified WBE | THE TRAILER EXPERTS - SINCE 1974

Product Sheet

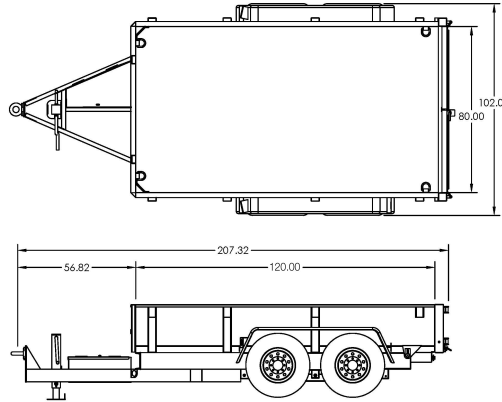
Felling Trailers, Inc. 2021

www.felling.com • 1-800-245-2809

1525 Main Street South

Sauk Centre, MN 56378

FT-10 DT		Drop Deck Dump Series	
GVWR LBS: 9,980	GAWR LBS: 10,160	WEIGHT LBS: 2,980	CAPACITY LBS: 7,000



Feature Name	Standard Features	Std. Qty	UOM
Model	FT-10 DT	1	
Deck Length	Add Deck Length	10	Feet
Deck Type	10 Gauge Steel w/ 20" High 12 Gauge Sides	1	Std
Rear Gate	Spreader Gate Assembly	1	Std
Appx Deck Height	24" Unloaded (Drop Axle)	1	Inches
Width	102" OD, 80" ID	1	Std
Tie Downs	Stake Pockets	8	Each
Brakes	Electric, FSA (Fwd Self Adj) On All Axles	1	Std
Axles	6K, Drop	2	Std
Suspension	Spring	1	Std
Tires & Wheels	ST225/75R 15 D, 6 Bolt [15 x 6] White Mod	4	Each
Hitch Length	Center of Coupler to Headboard, Appx	5	Feet
Hitch Type	2 5/16" Ball Adjustable, [B] 20,000 lb Channel Mount	1	Std
Jack	7K Drop Leg ** Top Wind **	1	Std
Plug	7 Pole RV	1	Std
Lights	LED Lights (Peterson), Sealed Wiring Harness (Sealco)	1	Std
Standard	3/8" Safety Chains, Grade 70	1	Std
Standard	Single Hydraulic Cylinder	1	Each
Standard	Heavy Duty Battery, Pump and Remote with 15ft Cord	1	Std
Standard	Tread Plate Fenders	1	Std
Trailer Color	Felling Black # CCA945378 (White Felling Decal)	1	Std
Stripe Color	None	1	Std
GVWR	9,980 lbs	1	Std