



ISO 9001 Quality Management System | WBENC-Certified WBE | THE TRAILER EXPERTS - SINCE 1974

**Product Sheet**

Felling Trailers, Inc. 2021

www.felling.com • 1-800-245-2809

1525 Main Street S.

Sauk Centre, MN

56378

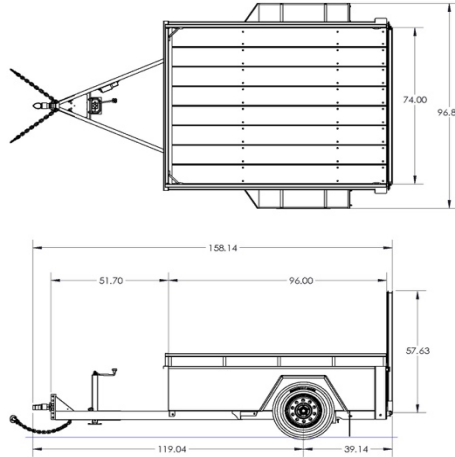
<b>FT-3 OT</b>	<b>Open Top</b>
----------------	-----------------

**GVWR LBS: 2,990**

**GAWR LBS: 3,000**

**WEIGHT LBS: 1,100**

**CAPACITY LBS: 2,900**



Feature Name	Standard Features	Std. Qty	UOM
<b>Model</b>	<b>FT-3 OT</b>	1	
Deck Length	Add Deck Length	10	Feet
Deck Type	Pressure Treated Wood	1	Std
Frame Type	Open Top with 24" Sides & 6" Top Tie Rail	1	Each
Ramps; Rear	4' Full Width (Flip In) Standard	1	Std
Appx Deck Height	14" Unloaded (w/ Drop Axles)	1	Inches
Width	97" OD, 74" ID	1	Std
Tie Downs	1/2" D-Rings	6	Std
Tie Downs	Corner Ties	2	Std
Brakes	No Brakes	1	Std
Axles	3.5K, Drop	1	Std
Suspension	Spring	1	Std
Tires & Wheels	ST205/75R 15 C, 5 Bolt [15 x 6] Mod	2	Std
Hitch Length	Center of Coupler to Headboard, Appx	4.5	Feet
Hitch Type	2" Ball, [B] Adjustable, 10,000 lb Channel Mount	1	Std
Jack	7K Drop Leg ** Top Wind **	1	Std
Plug	4 Flat	1	Std
Lights	LED Lights (Peterson), Sealed Wiring Harness (Sealco)	1	Std
Trailer Color	Felling Black # CCA945378 (White Felling Decal)	1	Std
Stripe Color	White	1	Std
Standard	3/8" Safety Chains, Grade 70	1	Std