



ISO 9001 Quality Management System | WBENC-Certified WBE | THE TRAILER EXPERTS - SINCE 1974

Product Sheet

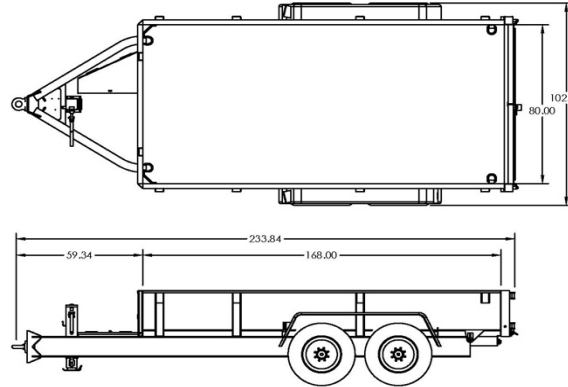
Felling Trailers, Inc. 2021

www.felling.com • 1-800-245-2809

1525 Main Street South

Sauk Centre, MN 56378

FT-20 DT HD		Drop Deck Dump Series	
GVWR LBS: 10,431	GAWR LBS: 4,536	WEIGHT LBS: 5,400	CAPACITY LBS: 17,600



Feature Name	Standard Features	Std. Qty	UOM
Model	FT-20 DT HD	1	
Deck Length	Add Deck Length	16	Feet
Deck Type	7 Gauge Floor with 10 Gauge 20" Sides	1	Std
Ramps, Acc	7' Slide Out Stored Under Deck	1	Pair
Rear Gate	Barn Door Assembly	1	Std
Appx Deck Height	32" Loaded	1	Inches
Width	102" OD, 80" ID	1	Std
Tie Downs	D-Rings, 5/8"	4	Each
Tie Downs	Stake Pockets	10	Each
Brakes	Electric, FSA (Fwd Self Adj) On All Axles	1	Std
Axles	10K Oil Bath	2	Std
Suspension	Rubber Torsion	1	Std
Tires & Wheels	235/75R 17.5 J, 8 Bolt [17.5 x 6.75] Plate Wheel	4	Each
Hitch Type	2.5" Adjustable Lunette Eye/Pintle, [C] 42,000 lb Plate Mount (5/8" Bolt)	1	Std
Hitch Length	Center of Coupler to Headboard, Appx	5	Feet
Jack	12K Spring Loaded Side Wind Jack - Single Speed	1	Each
Plug	7 Pole RV	1	Std
Lights	LED Lights (Peterson), Sealed Wiring Harness (Sealco)	1	Std
Standard	3/8" Safety Chains, Grade 70	1	Std
Standard	Heavy Duty Scissor Hoist	1	Each
Standard	Extreme Duty Hyd Pump Cont. Duty Motor, 12V Dual Battery System, Toolbox, 110 Volt Pulse Tech Charger, Remote With 15' Cord	1	Std
Standard	Document Holder	1	Std
Standard	Tread Plate Fenders	1	Std
Trailer Color	Felling Black # CCA945378 (White Felling Decal)	1	Std
Stripe Color	None	1	Std
GVWR	23,000 lbs	1	Std