



ISO 9001 Quality Management System | WBENC-Certified WBE | THE TRAILER EXPERTS - SINCE 1974

Product Sheet

Felling Trailers, Inc. 2021

www.felling.com • 1-800-245-2809

1525 Main Street South

Sauk Centre, MN 56378

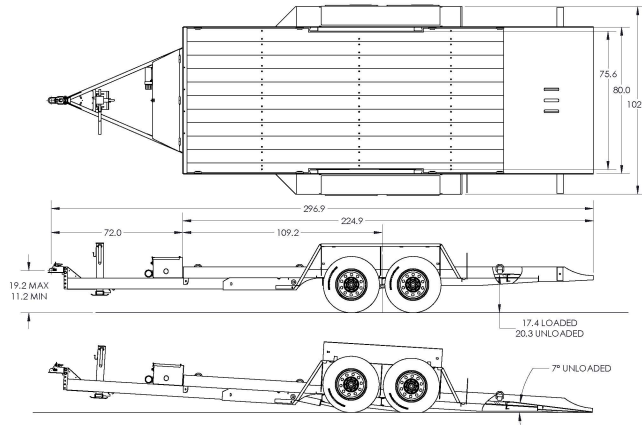
FT-12 EZ-T	Drop Deck EZ-Tilt Series
-------------------	---------------------------------

GVWR LBS: 13,900

GAWR LBS: 14,000

WEIGHT LBS: 3,600

CAPACITY LBS: 10,300



Feature Name	Standard Features	Std. Qty	UOM
Model	FT-12 EZ-T	1	
Deck Length	Tilt Deck Length (15' deck + 3.5' Smooth Steel Approach)	18.5	Feet
Deck Type	Anti-Skid Paint Applied to Approach plate	1	Std
Deck Type	Pressure Treated Wood	1	Std
Appx Deck Height	20.5" Unloaded	1	Inches
Width	102" OD, 75.5" ID (Between axle mounts)	1	Std
Tie Downs	D-Rings, 5/8" Straight	8	Each
Brakes	Electric, FSA (Fwd Self Adj) On All Axles	1	Std
Axles	7K Drop	2	Std
Axles, Acc	Super Lube Hubs	2	Std
Suspension	Rotating, Torsion	1	Std
Tires & Wheels	ST235/80R 16 E, 8 Bolt [16 x 6] White Mod	4	Std
Hitch Type	2 5/16" Ball Adjustable, [B] 20,000 lb Channel Mount, Range 15.5" to 23.5"	1	Std
Hitch Height	Approximate Adjustment Hitch Range 11.2" to 19.5"	1	Std
Hitch Length	Center of Coupler to Headboard, Appx	6	Feet
Jack	12K w/ Spring Loaded Drop Leg, Side Wind	1	Std
Plug	7 Pole RV	1	Std
Lights	LED, 4 tail light system, Sealed Wiring Harness	1	Std
Trailer Color	Felling Black # CCA945378 (White Felling Decal)	1	Std
Standard	Elec/Hydraulic Pump with Corded Remote and 12 V Battery in Lockable Enclosure	1	Std
Standard	3/8" Safety Chains, Grade 70	1	Std
Standard	Document Holder	1	Std
GVWR	13,800 lbs	1	Std